



**Please read entire instruction before proceeding.**

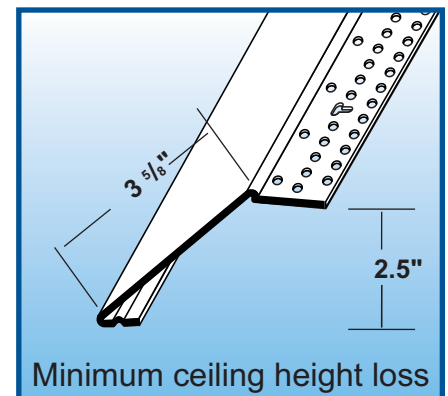
Improper installation will void any applicable warranty.



## EZ-Tray 2.5 - design applications and installation instructions

Introducing EZ-Tray 2.5, the latest innovation from Trim-Tex. Now, anyone can convert a standard room into an elegant showplace. EZ-Tray 2.5 is very easy to install, and extremely affordable which can boost your profits and appeal. Use in conjunction with Trim-Tex Crown Moldings and Decorative L Beads to create stunning coffered ceilings at a fraction of the price of traditional methods.

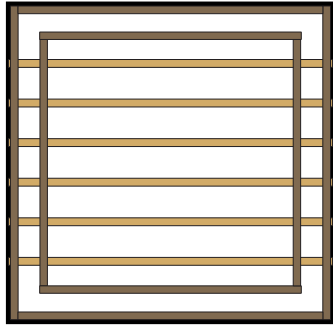
- **Affordable Luxury**
- **Increase Your Profits**
- **Quick & Easy to Install**
- **Gives that Custom Look**
- **Can be used with other Trim-Tex Beads**
- **Great for New Construction or Remodeling**



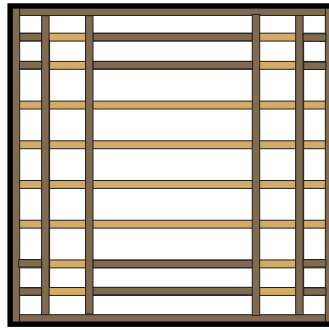
Minimum ceiling height loss

STOCK #	LENGTH	PCS/BOX
EZ25-10	10'	10

### 1) Around Perimeter of Room



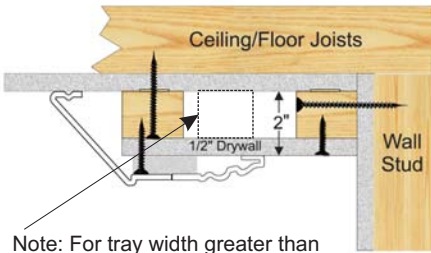
### Coffered Ceiling Detail



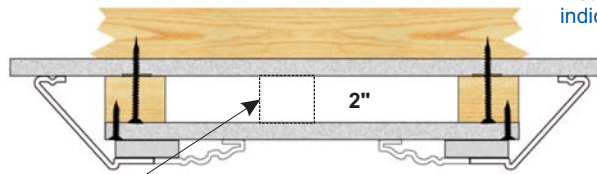
Using a high quality Construction Adhesive, and Screws, secure 2x2's plus 1/2" drywall to the ceiling/floor joist or wall studs as shown. Install 1/2" drywall to the 2x2's as shown, and your ready to install EZ-Tray.

#### SPANISH

Usando un pegamento de construcción de alta calidad y tornillos, asegure los 2x2's mas la tabla roca de 1/2" a las vigas del techo/pared o a los montantes de paredes como se indica. Instale la tabla roca de 1/2" a los 2x2's como se indica, y ya esta listo para instalar el EZ-Tray.



Note: For tray width greater than 24" additional blocking is required



Note: For tray width greater than 24" additional blocking is required

### 2)

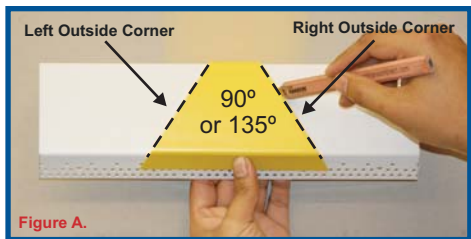


Figure A.

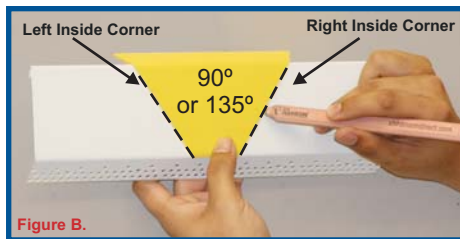


Figure B.

#### Miter Marker Instructions

Included in every box of EZ-Tray, are two free miter markers, one for marking 90° corners and one for marking 135° corners.

Mark the EZ-Tray as shown above. To properly use the Miter Marker you will need a sharp pencil and yellow aviation snips. For outside corners refer to Fig.A. For inside

corners flip the miter marker over as shown in Fig.B. Snip to the marks you have made and snip back the mud legs. Do not completely cut away the pencil line or the parts may come out too short. Everyone measures, marks and cuts differently so you may have to make a few practice cuts.

#### Instrucciones del Miter Marker

Incluido en cada caja del EZ-Tray, dos miter markers gratuitos, uno para marcar ángulos de 90° y otro para ángulos de 135°. Marque el EZ-Tray como se indica al lado. Para poder usar el Miter Marker apropiadamente, necesitará un lápiz y unas tijeras para metal. Para esquinas exteriores refiérase a la Figura A. Para esquinas interiores, voltee el miter marker como se indica en la Figura B. Corte a lo largo de las marcas y recorte en las extremidades. No corte completamente la línea marcada con el lápiz o la parte puede salir muy corta. Todos miden, marcan y cortan diferente así que tal vez deberá practicar en algunas piezas

### 3) Alternate Furring



#### Hat Furring

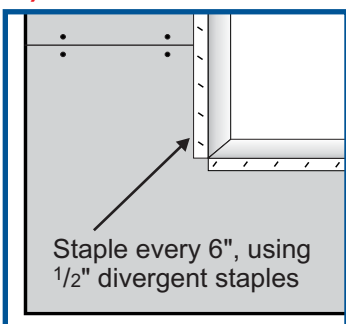
Big "D" furring channels are manufactured from 26, 25, 22 and 20 gage corrosion resistant galvanized steel. Furring channels are available in standard lengths of 8', 10', 12', 16', and 20'. Special lengths are available by request. Furring channels are used in both ceiling and wall installations with a standard spacing of 24" on center.

#### Z Furring

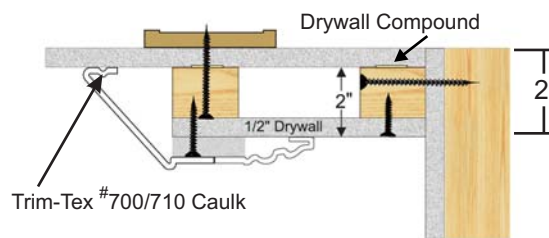
Big "D" furring sections are manufactured in 1", 1 1/2", 2" and 2 1/2" widths in 26 gage, and 20 gage from corrosion resistant coated steel. The 1/4" holding leg is slightly toed in for a positive grip on the insulation.



### 4)



Staple every 6", using 1/2" divergent staples



Cut and dry fit the EZ-Tray. Use the miter marker (included in the box) for your miters as detailed above. Install the EZ-Tray using 1/2" divergent staples (every 6"), and/or Trim-Tex 847 Spray adhesive. Use Trim-Tex #700/10 Caulk along the front edge of the bead as shown. Finish the installation by mudding, sanding and painting the bead as you normally would any other bead.

Corte y pruebe el EZ-Tray. Use un miter marker (incluido en la caja) para hacer sus cortes como se indique arriba. Instale el EZ-Tray usando grapas de 1/2" (cada 6"), y pegamento en aerosol 847 de Trim-Tex. Use Silicón 700/710 de Trim-Tex a lo largo del borde delantero como se indica. Acabe la instalación relleno con compuesto de tabla roca, lijando y pintando como lo haría con cualquier otro esquinero.