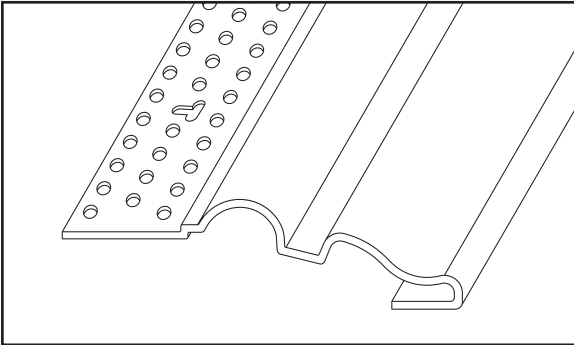




# SUBMITTAL SHEET

## Product(s): Decorative L Bead Style 681

### Decorative L Bead Style 681



Stock #	Length	Size	Pcs/Box
68110	10'	1/2"	25
68120	10'	5/8"	25

**Description:** This Decorative L Bead is perfect for wainscoting, decorative casing details around window and door frames as well as drywall layering details. It can also be used in conjunction with our Crown Moldings to add that custom look and size.

**Advantages:** Qualifies for LEED® points. Designed with built in expansion control. Made from shrink, warp and mold proof PVC; unlike the properties of wood. Seamless look without the need for coping.

**Limitations:** Product is designed for interior use.

**Applicable Standards:** Rigid PVC products made by Trim-Tex meet ASTM specifications D3678-97, D1784-03, C1047-99 and achieve a Class A rating for flame spread and smoke developed when tested under ASTM E84-10.

**Surface Characteristics:** Trim-Tex products are made from PVC. PVC does not support combustion and is self extinguishing when the source of flame or heat is removed.

**Installation:** Cut the bead to length and dry fit. Install with Trim-Tex 847 Spray Adhesive, #700 / 710 Adhesive Caulk and 1/2" divergent staples. Detailed installation and miter instructions are included with each product.

**Finishing:** Use #700 Adhesive Caulk to install. Finish mudding, sanding and painting as you normally would. Priming is not required. Always use a high quality paint. For ultimate bond, add Mud-Max to the first coat of mud.

**Accessories:** #700/710 Adhesive Caulk, 847 Spray Adhesive, Staple Guns and Divergent Staples, Trim-Tex Sanding Blocks & Abrasive Products, Mud-Max Drywall Compound Additive, North by Honeywell -Safety Products distributed by Trim-Tex

Job Name \_\_\_\_\_

Contractor \_\_\_\_\_ Date \_\_\_\_\_

Approvals (Signatures or Stamps)