



# SUBMITTAL SHEET

## Product(s): Trim-Tex Ceiling Mounted Deflection Bead

**Description:** Trim-Tex Ceiling Mounted Deflection Beads are designed to mount to the roof deck and will slide up and down the wall during deflection to prevent cracks.

**Advantages:** The 1" leg hangs down the wall to cover up to a 3/4" gap, left between the drywall and the floor deck. Since it is only attached to the deck, the ceiling Mounted Deflection Bead slides up and down the wall. It leaves a sharp crisp shadow line along the length of the wall. Comes with a full 5/16" tear-off strip that acts as a guide for the taping knife as well as a protective masking for taping and mudding. Made from rust proof, dent resistant PVC to reduce jobsite and handling damage. Does not contain cellulose, a potential food source for mold

**Limitations:** Product is designed for interior use. Not designed for major uplifts. Small gaps caused by minor uplift can be easily caulked.

**Applicable Standards:** Rigid PVC products made by Trim-Tex meet ASTM specifications D3678-97 Class 2, D1784-03, C1047-99 and achieve a Class A rating for flame spread and smoke developed when tested under ASTM E84-10.

**Surface Characteristics:** Trim-Tex products are made from PVC. PVC does not support combustion and is self extinguishing when the source of flame or heat is removed.

**Installation:** Hang your drywall with no more than 7/8" from the ceiling or as specified by your architect. Snip the bead to length and dry fit. Apply a narrow layer of *Taping Joint Compound* to the ceiling. Be sure to add Trim-Tex Mud-Max (#850) to the setting and base coat of compound. Embed the deflection bead into the compound and press into place with a taping knife. Coat the bead as needed.

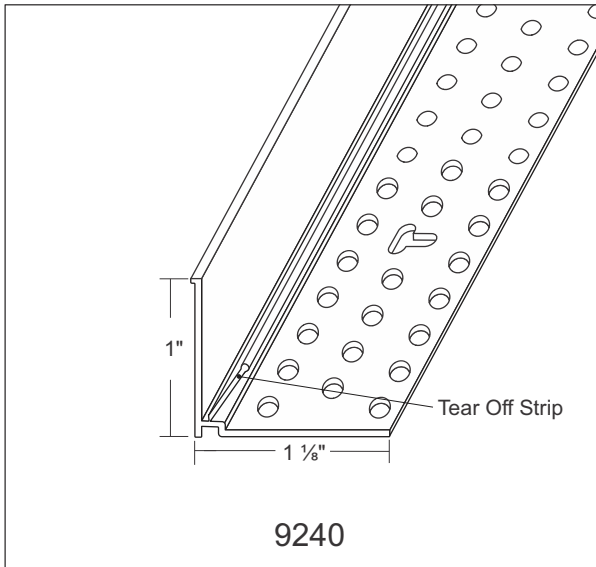
**Finishing:** Once mudding is complete, remove tear-off leg for a clean, sharp look. Always use a high quality paint.

**Accessories:** Trim-Tex Sanding Blocks & Abrasive Products, Mud-Max Drywall Compound Additive, North by Honeywell - Safety Products distributed by Trim-Tex.

Job Name \_\_\_\_\_

Contractor \_\_\_\_\_ Date \_\_\_\_\_

Approvals (Signatures or Stamps)



STOCK NUMBER	LENGTH	PCS PER BOX
9240	10'	40
9242	12'	40

