



SUBMITTAL SHEET

Product: Architectural Access Door Bead

Description: Trim-Tex Architectural Access Door Bead is designed to finish drywall around access doors or light fixtures.

Advantages: Creates a crisp look with a subtle 1/4" reveal that is easy to install and finish. . Made from rust proof, dent resistant PVC to reduce jobsite and handling damage.

Limitations: Product is designed for interior use.

Applicable Standards: Rigid PVC products made by Trim-Tex meet ASTM specifications D3678-97, D1784-03, C1047-99 and achieve a Class A rating for flame spread and smoke developed when tested under ASTM E84-10.

Surface Characteristics: Trim-Tex products are made from PVC. PVC does not support combustion and is self extinguishing when the source of flame or heat is removed.

Installation: To install, begin by cutting and dry fitting your bead to size. Attach the mud leg to the drywall by spraying the bead and then the drywall with Trim-Tex 847 Spray Adhesive, then immediately apply to the drywall. Staple the mud leg every 6" - 8" with 1/2" divergent staples. Next nail to stud or joist along the mounting flange every 8" - 12"

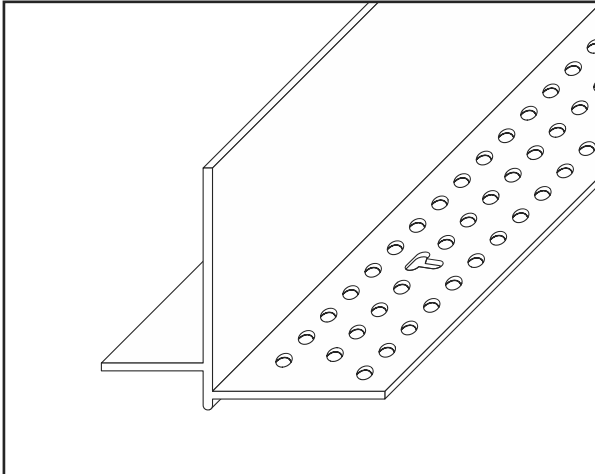
Finishing: To improve the bondability of drywall compounds, textures & plaster products to any bead, use MUD-MAX Drywall Compound Additive. Priming is not required. Always use a high quality paint.

Accessories: 847 Spray Adhesive, Staple Guns and Divergent Staples, Trim-Tex Sanding Blocks & Abrasive Products, Mud-Max Drywall Compound Additive, North by Honeywell -Safety Products distributed by Trim-Tex.

Job Name _____

Contractor _____ Date _____

Approvals (Signatures or Stamps)



STOCK NUMBER	LENGTH	PCS PER BOX
AS8020	10'	12

